



PVC SLOTTED GRID GHOST 25

Hidden from sight. Perfect in performance.

Installation
video



A15
Class



Perfect balance
between design
and function



Modular elements
allow easy
installation



Two installation
methods

100% MADE IN



ITALY

Ghost 25 mod. 100

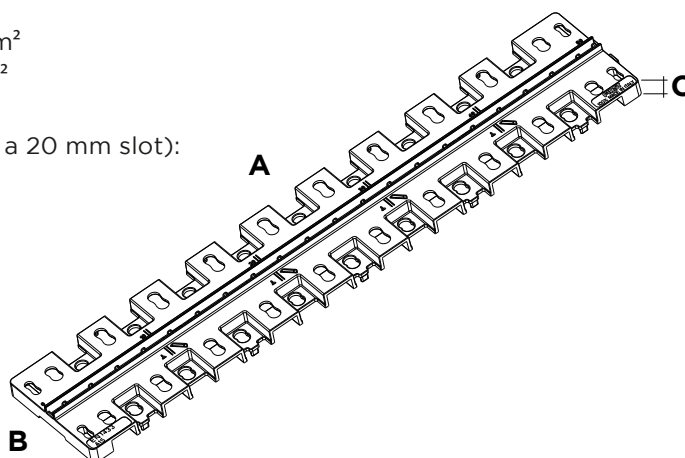
Technical Specifications

CODE: **GRF100G** / COLOR: **Grey**

- Water flow area (upper side, central slot): ~35 cm²
- Water flow area (lower side, lateral slot): ~32 cm²
- Single grating drainage capacity
(theoretical value calculated on the assumption of a 20 mm slot):

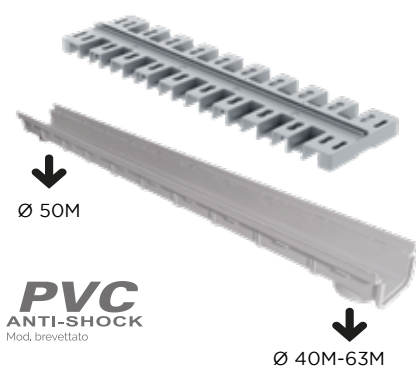
- Central drain mode: 1,2 l/s
- Side drop mode: 1,2 l/s

A	mm 500
B	mm 99
C	mm 13
Central slot width	mm 8
Centre slot edge height	mm 6
Weight	gr 273



With Pratiko PVC 100 system

Shallow



PVC
ANTI-SHOCK
Mod. brevettato

Ø 40M-63M

Ø 50M

Ø mm 40M-75F-80M

ART.	CODE	COLOR	
------	------	-------	--

**PVC slotted grid
Ghost
mm. 100x500**

GRF100G **Grey** 14

PVC modular drainage
channel mod. 100 shallow
mm. 100x55x1000

CSB100 **Grey** 24

ART.	CODE	COLOR	
------	------	-------	--

PVC shallow
end socket

TCB100 **Grey** 25

Shallow
four way joint

RCB100 **Grey** 10

With Pratiko PVC 100 system

Medium



PVC
ANTI-SHOCK
Mod. brevettato

↓
Ø 40M-63M



→ Ø 75F-80M



↓
Ø mm 40M-75F-80M

ART.	CODE	COLOR	
------	------	-------	--

**PVC slotted grid
Ghost
mm. 100x500** **GRF100G** **Grey** 14

PVC modular drainage
channel mod. 100 medium **CSM100** **Grey** 18
mm. 100x75x1000

ART.	CODE	COLOR	
------	------	-------	--

PVC medium
end socket **TCM100** **Grey** 18

Medium
four way joint **RCM100** **Grey** 8

Deep



↓
Ø 50M

PVC
ANTI-SHOCK
Mod. brevettato

↓
Ø 40M-63M



→ Ø 100F-110M



↓
Ø mm 40M-75F-80M

ART.	CODE	COLOR	
------	------	-------	--

**PVC slotted grid
Ghost
mm. 100x500** **GRF100G** **Grey** 14

PVC modular drainage
channel mod. 100 deep **CSA100** **Grey** 12
mm. 100x100x1000

ART.	CODE	COLOR	
------	------	-------	--

PVC deep
end socket **TCA100** **Grey** 20

Deep
four way joint **RCA100** **Grey** 4

Ghost 25 mod. 130

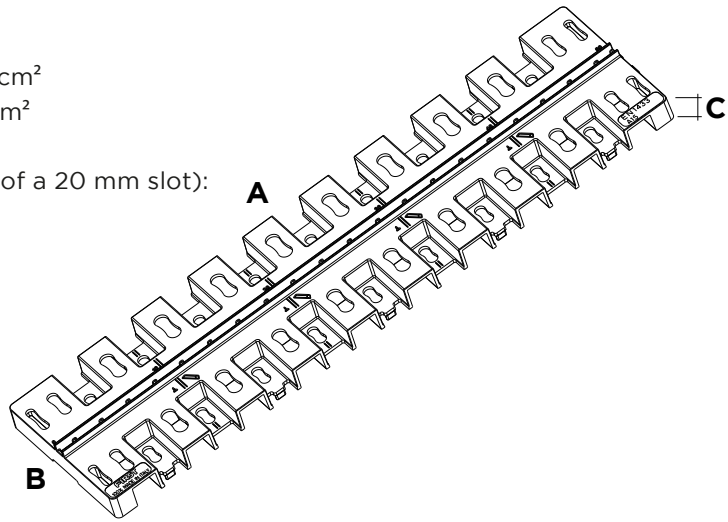
Technical Specifications

CODE: **GRF130G** / COLOR: **Grey**

- Water flow area (upper side, central slot): ~32 cm²
- Water flow area (lower side, lateral slot): ~39 cm²
- Single grating drainage capacity
(theoretical value calculated on the assumption of a 20 mm slot):

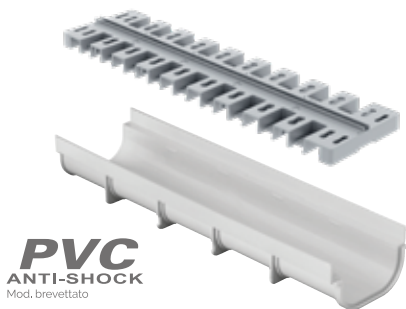
- Central drain mode: 1,1 l/s
- Side drop mode: 1,3 l/s

A	mm 500
B	mm 129
C	mm 20
Central slot width	mm 7,4
Centre slot edge height	mm 6
Weight	gr 434

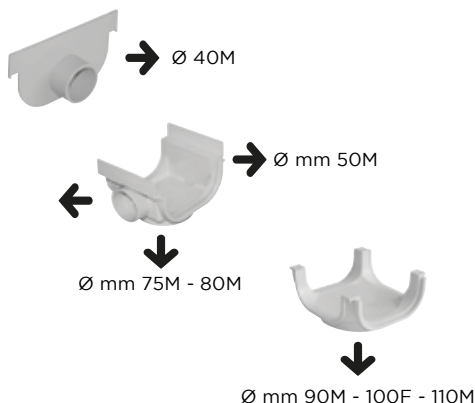


With Pratiko PVC 130 system

Shallow



PVC
ANTI-SHOCK
Mod. brevettato



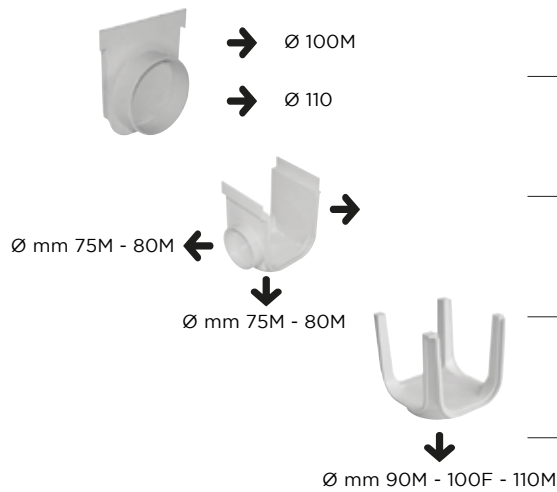
ART.	CODE	COLOR	
PVC slotted grid Ghost mm. 130x500	GRF130G	Grey	16
PVC modular drainage channel mod. 130 shallow mm. 130x75x500	CSB130	Grey	50
ART.	CODE	COLOR	
PVC shallow end socket	TCB130	Grey	20
PVC shallow outlet socket	CBGS130	Grey	20
Shallow four way joint	RCB130	Grey	6

With Pratiko PVC 130 system

Deep



PVC
ANTI-SHOCK
Mod. brevettato



ART.	CODE	COLOR	
PVC slotted grid Ghost mm. 130x500	GRF130G	Grey	16

PVC modular drainage channel mod. 130 deep mm. 130x150x500	CSA130	Grey	25
--	---------------	-------------	----

ART.	CODE	COLOR	
PVC deep end socket Ø 100M	TCA130	Grey	20

PVC deep end socket Ø 110	TCA131	Grey	14
---------------------------------	---------------	-------------	----

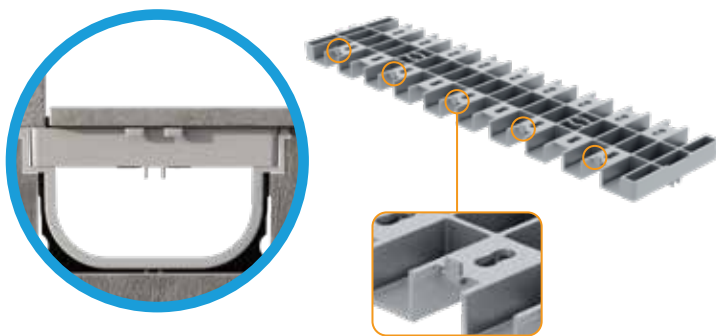
PVC deep outlet socket	CAGS130	Grey	15
---------------------------	----------------	-------------	----

Deep four way joint	RCA130	Grey	7
------------------------	---------------	-------------	---

Installation Options

Wall-Flush Installation

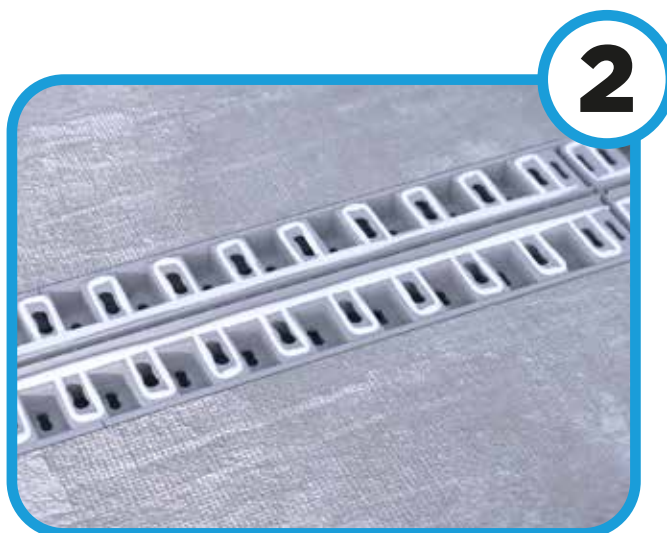
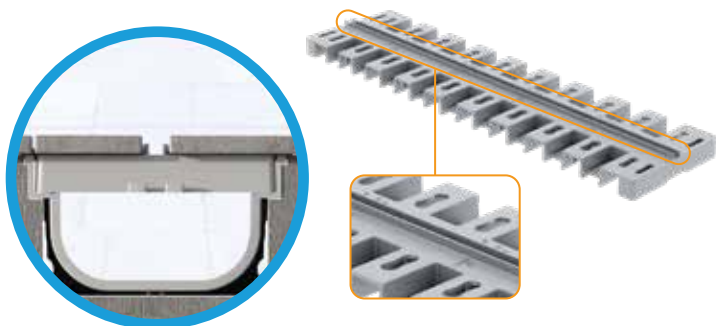
When the Ghost 25 slotted grate is installed alongside the wall, it creates a discreet and elegant drainage line. This solution is ideal for modern outdoor spaces where visual cleanliness and a minimal aesthetics are essential. Wall-flush installation optimises rainwater collection along perimeter surfaces without interfering with the architectural design.



Position the grid with the pins facing upwards.

Central Drainage

When the Ghost 25 slotted grate is positioned centrally, water drains away more naturally, ensuring fast and efficient drainage. This solution is suitable for courtyards, yards or paved surfaces with adequate slopes.

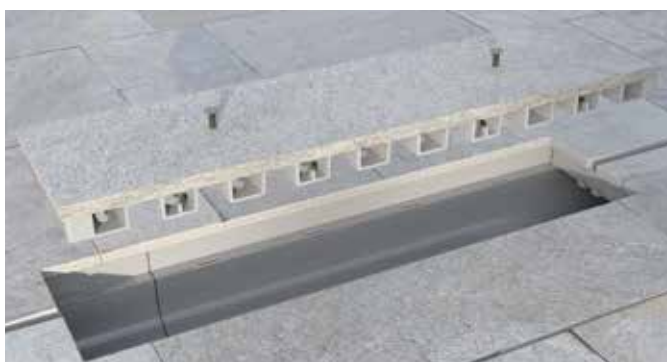


Position the tiles so that they adhere properly to the walls of the central slot.

Inspection System

In both wall-mounted or central drain installations, it is possible to integrate an inspection pit by using the grate itself. This system allows quick access for maintenance and cleaning, guaranteeing long-term efficiency and functionality. The number and positioning of the inspection points should be adjusted according to the length and configuration of the drainage line.

1. Remove the 5 lateral notches and the MF plug-in pins
2. Cut the tile to the external dimensions of the grating
3. Drill the tile to match the positions of the M8 nut seats
4. Insert the M8 nuts into the appropriate slots for lifting the grating/tile
5. Glue the tile, ensuring the holes align with the nuts
6. The channel can be inspected by lifting the fixed screws inserted in the nuts
7. **IMPORTANT:** Joints around the tile must not be filled



Inspection is also possible by using a portion of the grid.

It is recommended to use two-component polyurethane adhesives to bond the flooring to the PVC grate.



Outdoor environments



Balconies and terraces



Indoor environments

Produced by:



FIRST PLAST S.r.l.
Località Isola Grande
17041 ALTARE (SV) - ITALIA
Tel. +39 019 58511
email: infofirst@firstcor.com



MADE IN

ITALY